



Installation Guide

Composite Decking



deX Outdoor Living

dexoutdoorliving.co.uk

info@dexoutdoorliving.co.uk

Scan the code to view the digital installation guide

Before you start

COMPONENTS



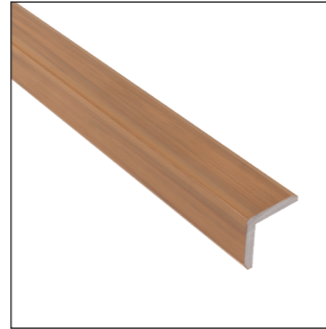
Board



Starter clip



T-clip



Angle trim

You may need:

- Drill
 Mitre/circular saw (fine-tooth blade)
 Pencil
 Adhesive
 Tape measure

IMPORTANT

- | | |
|--------------------------------------|----------------------------------------|
| ✓ Leave 3mm gaps at board ends | ✗ Don't overtighten clip fixings |
| ✓ One clip per joist | ✗ No joists more than 350mm apart |
| ✓ Double joist framing at board ends | ✗ Avoid screwing through boards to fix |

01

STEP 1 - INSTALLING THE FIRST ROW

- 1 Position the **deX starter clips** level with the edge of the frame, one per joist. (fig. 1)

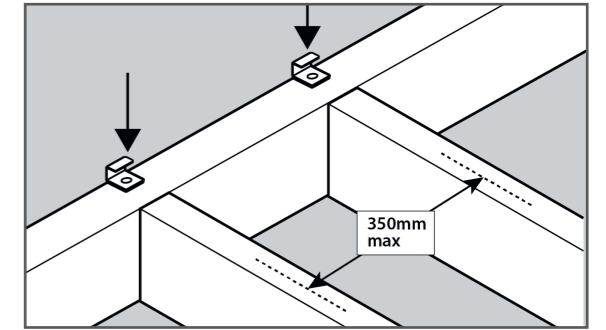


FIG. 1

- 2 Place the first **board** flat on the frame and slide into the **clips**. (fig. 2)

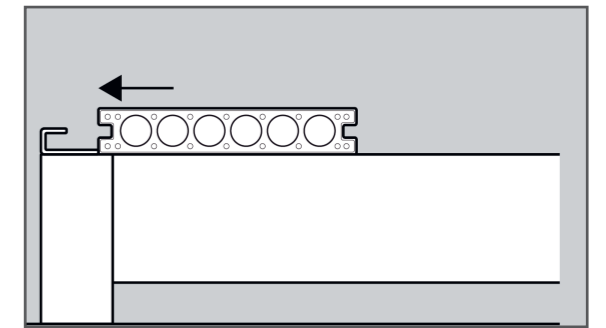


FIG. 2

- 3 If you require more than one **board** on the first row, continue to lay **boards** along the row pushing into the **starter clips**.
- 4 Where two **board** ends meet, leave a **3mm gap** between them and ensure they are supported by a double joist underneath.

02

STEP 2 - LAYING THE MAIN DECK

- 1 Now you've fitted the first row, insert **deX T-Clips** into the groove on the leading edge of the **board**. (fig. 3)

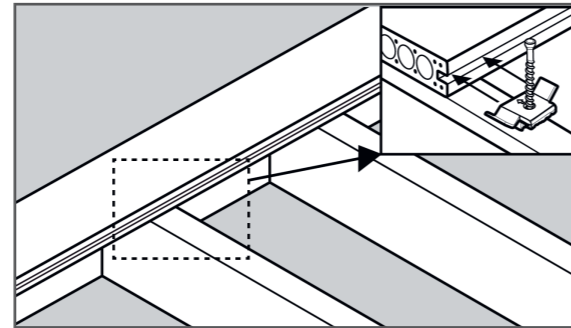


FIG. 3

- 2 Lay the next row of **boards** flat on the joists and slide into position. (fig. 4)

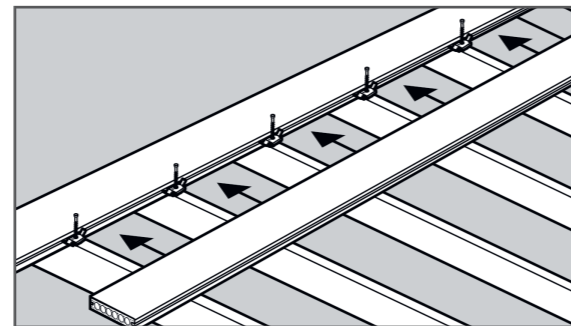


FIG. 4

- 3 Use a drill to fix the screws in each **T-Clip**, ensuring not to over-tighten (fig. 5)

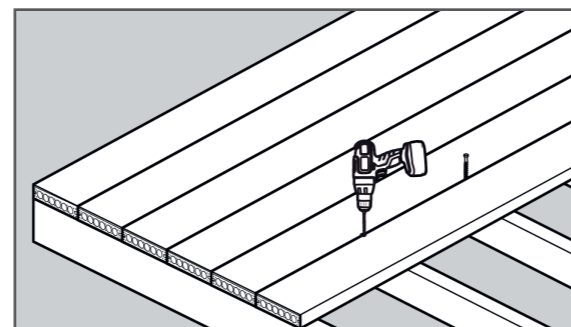


FIG. 5

- 4 Repeat this process across the deck area until you have two rows left to lay. Where **board** ends meet, use one **clip** per **board**. Do not use one **clip** to hold both **board** ends in place.

03

STEP 3 - LAYING THE LAST TWO ROWS

- 1 Insert **T-Clips** as normal into the last row of **boards** you laid.
- 2 Loose-lay the next row but **do not fix in place**.
- 3 Repeat and loose-lay your last row.

- 4 Mark a pencil line along the outside edge of the last **board**

The outer edge of the last **board**/row should be in line with the outside of your subframe. If not, you may need to adjust the framework. (fig. 6)

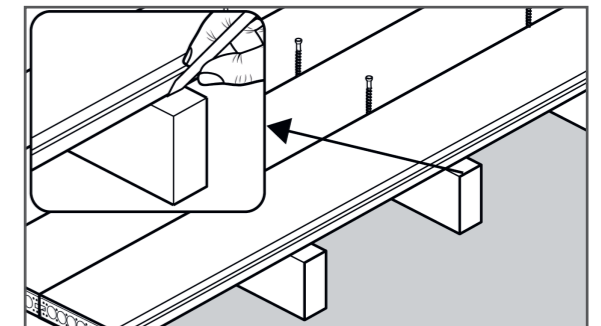


FIG. 6

- 5 Take up the two loose rows of **boards**, and install **starter clips** along pencil line/outer edge of the frame, one per joist. (fig. 7)

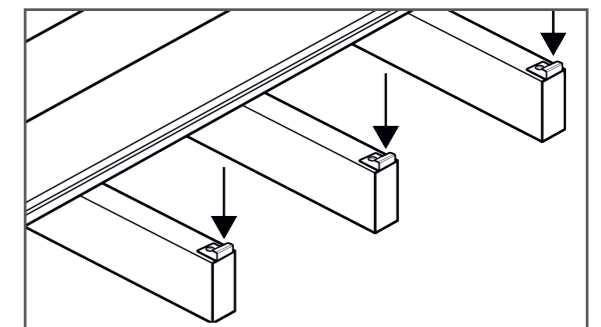


FIG. 7

03

STEP 3 - LAYING THE LAST TWO ROWS (continued)

- 6 Re-lay the last row of **boards** into the **starter clips**. (fig. 8)

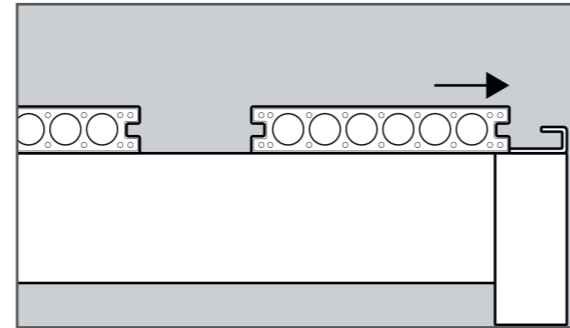


FIG. 8

- 7 Place the second to last row of **boards** into the gap, sliding one edge into the **T-Clips** installed previously.

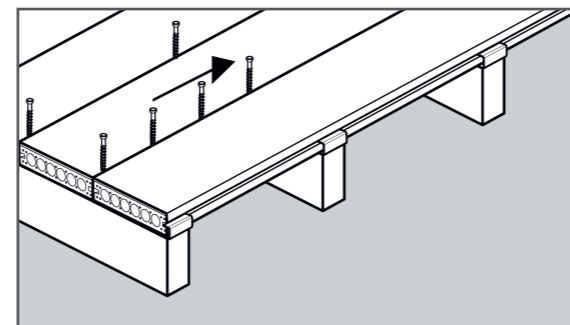


FIG. 9

- 8 Insert the remaining **T-Clips** (one per joist) into the groove at the end of the **board**, and holding the screw slide each **clip** along the length into position over a joist (fig. 9)

- 9 Fasten all remaining **T-clips** to the frame.

04

STEP 4 - FINISHING TOUCHES

- 1 Use the **deX Premium angle trim** to cap off any exposed edges.

- 2 Fix with adhesive, applying an even bead to the inside of the **trim** before pushing firmly onto the deck **board**.

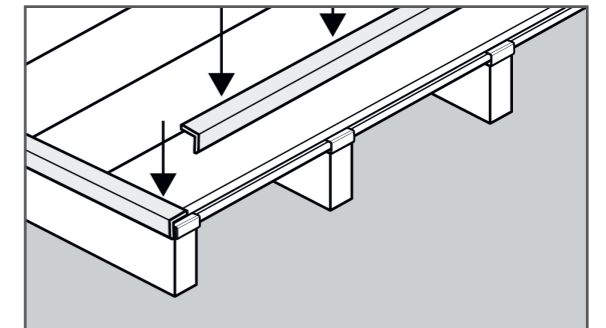


FIG. 10

- 3 If required, the **trim** can be screwed to the **boards**. Ensure you drill a hole through both the **trim** and the **board** before screwing. The pre-drilled hole should be 1-2mm bigger than the screw thickness you are using.

The deck is now complete and ready to enjoy for years to come.

Best of all, it needs very little maintenance, just periodic sweeping to keep it tidy, and a gentle clean with warm, soapy water a couple of times a year. Pressure washers can be used too, provided they're set to half power with a fan-tipped nozzle fitted.



Installation Guide

Composite Decking



deX Outdoor Living

dexoutdoorliving.co.uk

info@dexoutdoorliving.co.uk

Scan the code to view the digital installation guide